

# ADVANTECH-DLOG DLT-V8315

On the following pages you will find detailed manufacturer information about this product from our TISWARE hardware and software portfolio.

**If you need more information, please contact us!**

If you have any questions about or are interested in this or other products from our portfolio, please contact our sales team. Our colleagues are happy to help.

Phone: **+49 2871 2722-0**

E-mail: **contact@tis-gmbh.com**

## Other products from the TIS GmbH portfolio



### TISLOG TELEMATICS SOFTWARE

TISLOG logistics and transport software provides powerful and flexible solutions for mobile order management, capable of exactly what you need for the individual work processes of your business.



[www.tislog.com](http://www.tislog.com)



### TISPLUS HARDWARE ACCESSORIES

TISPLUS - Clever accessories for ergonomic handling on the go and in the warehouse. und im Lager. Development, design and production of our TISPLUS products take place at 100% in Germany.



[www.tisplus.com](http://www.tisplus.com)

### BACKGROUND TIS GMBH

The TIS GmbH, based in Bocholt is one of the market leaders for sophisticated telematics projects. TIS stands for "Technical Information Systems". Since 1985 the company develops intelligent telematics solutions for freight forwarders, transport and logistics companies and retail chains. Currently, more than 50 employees work for TIS. The latest generation of products are the platform-independent software solutions under the brand name TISLOG Logistics & Mobility. Together with the powerful hardware of renowned partners and the in-house developed hardware accessories TISLOG builds the optimal solution for companies looking for professional telematics solutions.



More information on the TIS GmbH and our portfolio of software, hardware and accessories on [www.tis-gmbh.com](http://www.tis-gmbh.com)

# DLT-V8315



## High Performance Computing 15" Industrial PC, Rugged

- Color-TFT 15"
- Intel® Core™ i5-4300U Dual Core CPU
- Fully configurable to support individual needs
- Break-proven, abrasion-resistant touchscreen, IK08
- DC wide-range power supply and AC power supply available
- Integrated uninterruptible power supply (UPS)
- Extreme temperature range, cold store capable
- Fully rugged, IP66 for the complete system

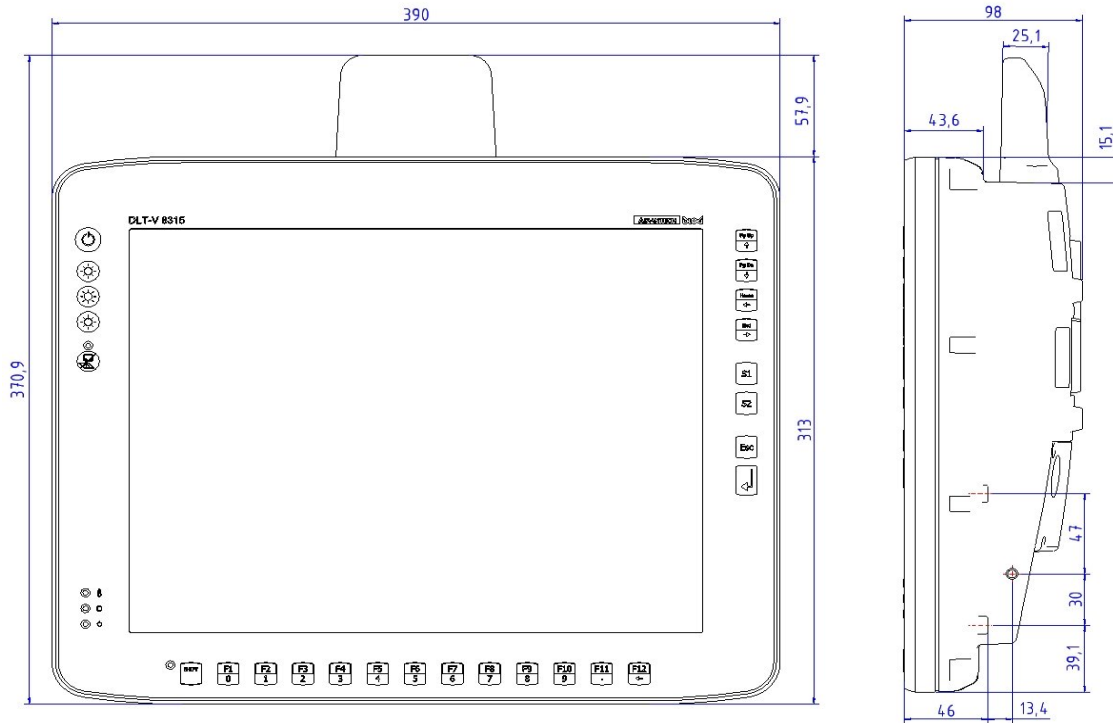
## Specification

System	CPU Mass storage memory	Intel® Core™ i5-4300U Dual Core 1.9 GHz with 4 GB, 8 GB or 16 GB RAM 4 GB CFast or more 2.5" SD with 128 GB, optional
Housing		Completely sealed, fanless design Coated aluminium
Dimensions/Weight (without antenna)		Width x height x depth: 390 mm x 313 mm x 98 mm (15.35 in x 12.32 in x 3.86 in) Weight 6.2 kg
Display		Color-TFT 15.1" XGA 1024 x 768 400 cd/m <sup>2</sup>
Touchscreen		Highest impact capable touchscreens in two variants: - Resistive touchscreen with 5 or 26 front keys - Capacitive multi touch (PCT) with 9 integrated front keys
Front Keys		5,9 or 26 front keys
Software	Operating system Emulations (third-party)	MS® WE8S, WE 8.1 Ind Pro, WES 2009, WinXP Pro, WES 7, Win7 Pro, Linux VT100, VT220, IBM 5250, TN 3270, Citrix Client®, Freefloat Access One
Communication	Wi-Fi LAN WPAN	Wi-Fi IEEE 802.11 a/b/g/n, optional Ethernet 10/100/1000 MBit/s, optional 2 <sup>nd</sup> Ethernet Bluetooth, optional
Interfaces	Serial USB	2 x RS-232, alternatively 1 x RS-232 and RS-422/485 4 x USB 2.0 (HI-SPEED™), bootable; including 1 x Service USB
Audio/Voice	Sound Kit	Speaker integrated Advantech-DLoG specific Voice Kit, optional
Power supply (internal)	DC variant  AC variant	12/24/48VDC nominal voltages Automatic switch-on/switch-off function via vehicle ignition Integrated Uninterruptible Power Supply (UPS), typically 10 min, optional 110/230 VAC, 50/60 Hz
Environmental	IP protection class Impact resistance of the front Operating temperature Shock/Vibration	IP66 for the complete system IK08 according to IEC 62262 -30 to +50 °C (-22 to +122 °F) Class 5M2 according to EN 60721-3-5 US Highway Truck as MIL-STD 810F
Approvals	Certifications	CE Immunity Class A, Emission Class B / FCC Class B, CCC China, MIC Japan

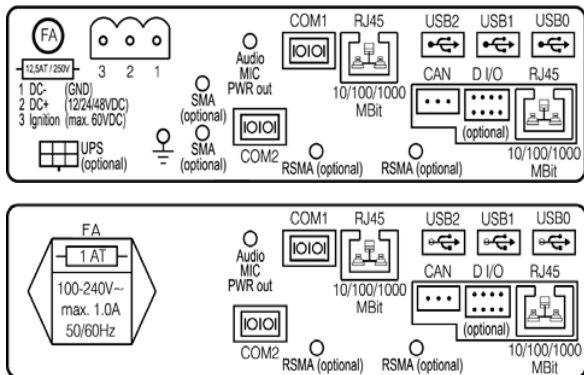
Data Sheet V1.11; © by DLoG GmbH 10/2015. Information is subject to change. Product names are in most cases also registered trademarks and are thus subject to law.

# DLT-V8315

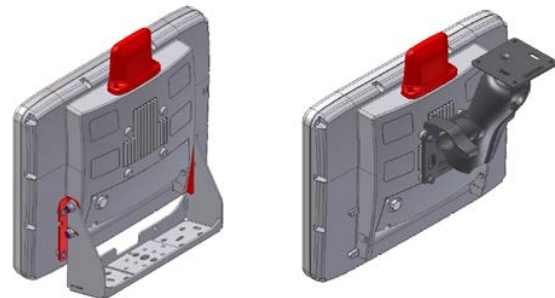
## Dimensions (in mm)



## Connectors



## Mounting Variants (Selection)



## Advantech-DLoG Partner Contact

## Accessories/Options

- Scanners and scanner mountings
- Keyboards and keyboard mountings
- Terminal mountings (wide range of mounting brackets, RAM solutions etc.)
- USB Stick, USB Recovery Stick
- External CD/DVD ROM drive