

# Truckbox 2

## Installation instructions for the Truckbox remote download cable set

This cable set connects the **OPT\_CAN** of the Truckbox to the red **C-connector** of the digital speedometer (DTCO). This cable set is only required if

- there is **no** FMS in the truck (page 2 **connection variant 2**), and / or
- the **internal** connection from the red DTCO connector (C5 + C7) to the CAN bus (FMS) of the truck is missing in the truck (page 2 **connection variant 3**).

### NOTE

This cable set is **not** required if the red DTCO connector (C5 + C7) is already connected to the CAN bus of the truck and the remote download is made via the FMS connection (basic cable set) of the truck box (page 2 **connection variant 1**).

More info:  
<http://downloads.tis-gmbh.de/rm/TruckboxManuals.zip>

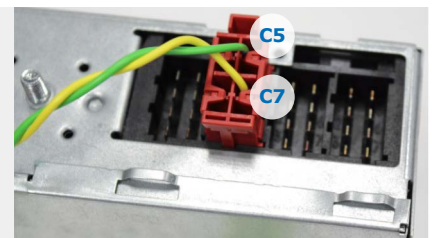
### 1. DTCO connector C (red) for remote download

DTCO connector C	Signal	Truckbox cable	Truckbox connector
Pin C5	CAN High	grün	Pin 3
Pin C7	CAN Low	gelb	Pin 5

#### PLEASE NOTE:

Only tachos from version R1.3a allow a remote download at all and only if this is enabled in the speedometer.

DTCO backside



### 2. Truckbox connector (black)

**OBEN!**

**Truckbox connector**  
(View cable side)

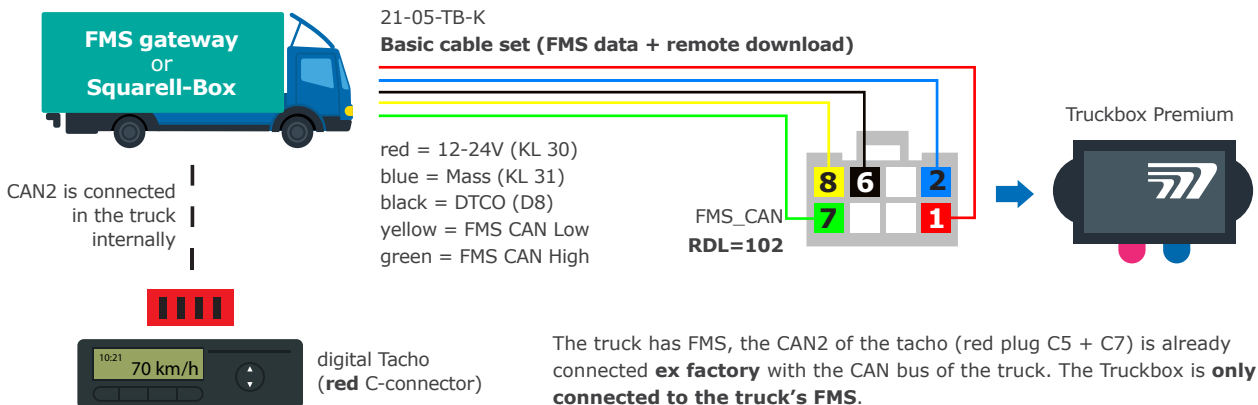
← Snap the crimp contacts into the truckbox connector in this position ("noses" upwards). The coloring as described on the left.

**Truckbox connector**  
Crimp contact

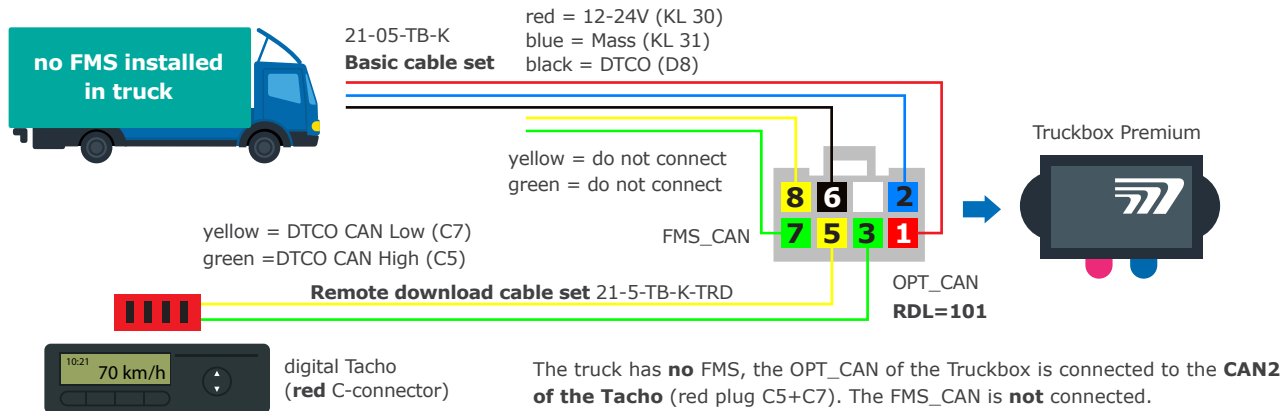
# TRUCKBOX 2

## 3. Connection variants for remote download

### CONNECTION VARIANT 1 (only connected to FMS\_CAN)



### CONNECTION VARIANT 2 (only connected to OPT\_CAN)



### CONNECTION VARIANT 3 (only connected to FMS\_CAN + OPT\_CAN)

