

TISPLUS TELEMATICBOX TRUCK 2

Installation instructions for the TISPLUS telematicbox Truck2 remote download cable set

This cable set connects the **OPT_CAN** of the TISPLUS telematicbox Truck 2 to the red **C-connector** of the digital speedometer (DTCO). This cable set is only required if

- there is **no** FMS in the truck (page 2 **connection variant 2**), and / or
- the **internal** connection from the red DTCO connector (C5 + C7) to the CAN bus (FMS) of the truck is missing in the truck (page 2 **connection variant 3**).

NOTE

This cable set is **not** required if the red DTCO connector (C5 + C7) is already connected to the CAN bus of the truck and the remote download is made via the FMS connection (basic cable set) of the telematicbox Truck (page 2 **connection variant 1**).

More info:
<http://downloads.tis-gmbh.de/rm/TruckboxManuals.zip>

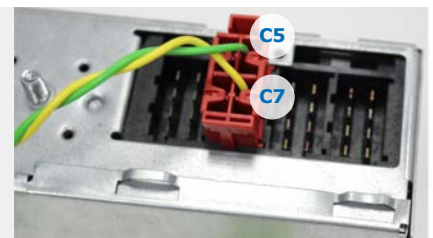
1. DTCO connector C (red) for remote download

| DTCO connector C | Signal | telematicbox cable | telematicbox connector |
|------------------|----------|--------------------|------------------------|
| Pin C5 | CAN High | grün | Pin 3 |
| Pin C7 | CAN Low | gelb | Pin 5 |

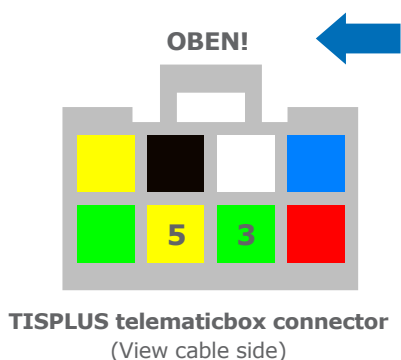
PLEASE NOTE:

Only tachos from version R1.3a allow a remote download at all and only if this is enabled in the speedometer.

DTCO backside



2. TISPLUS telematicbox Truck 2 connector (black)



Snap the crimp contacts into the telematicbox connector in this position ("noses" upwards). The coloring as described on the left.

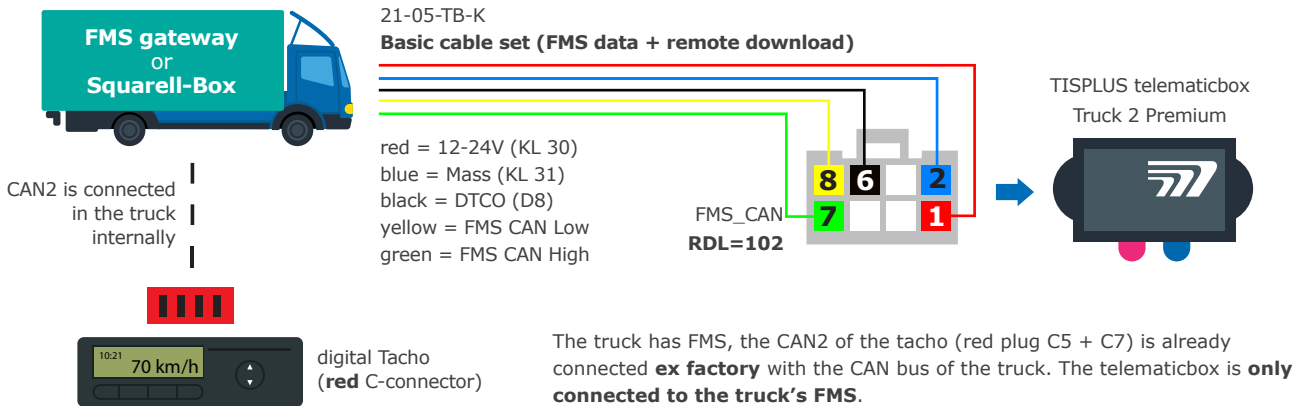


TISPLUS telematicbox connector
Crimp contact

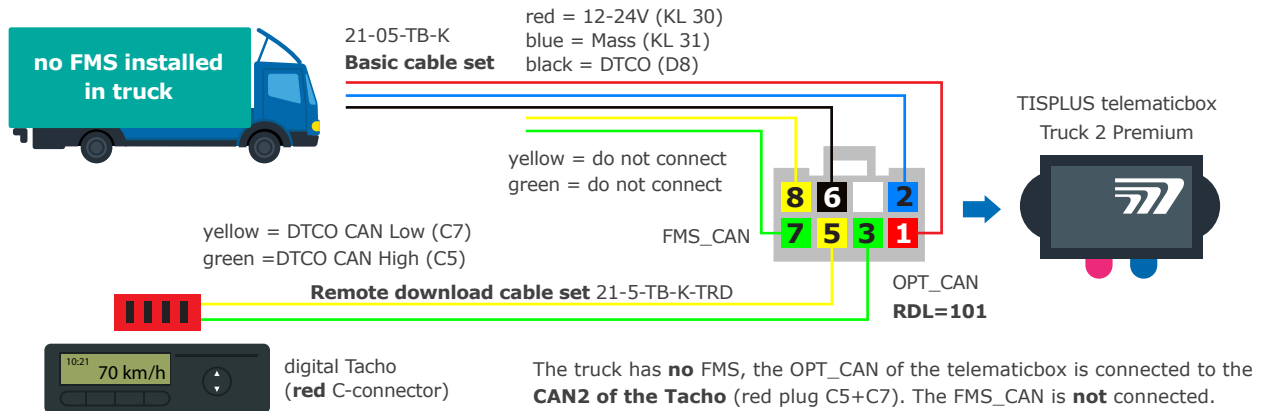
TISPLUS TELEMATICBOX TRUCK 2

3. Connection variants for remote download

CONNECTION VARIANT 1 (only connected to FMS_CAN)



CONNECTION VARIANT 2 (only connected to OPT_CAN)



CONNECTION VARIANT 3 (only connected to FMS_CAN + OPT_CAN)

