

TISPLUS VEHICLE CRADLE



ZEBRA TC56/57/57X VEHICLE CRADLE

USER GUIDE

Content

1.	Mounting Information	2
2.	Connection cable	3
3.	Mounting the TISPLUS Cradle	3
4.	Power LED	4
5.	Using TC56/57 without Rubber Boot	5
6.	Handling	5
7.	Maintenance/Care	6
8.	Technical Data	6

Mounting Information

It is recommended to mount the Cradle at a position that does not interfere the normal driving function.

Some applications need the interaction of the driver, so the mount position shall also offer a good sight and reach to the mobile device.

The mount position should avoid direct sunlight to the mobile device. Sunlight can heat up the mobile device. Please read the manual of the mobile device for the maximum operating temperatures.

Provide easy access to the mobile device. Take care that control elements (LEDs, displays, reset button, etc.) remain visible and accessible.

Do not bend or damage the connection cable, avoid reverse polarity.

The installation of the cables shall not affect the steering and brakes.

Make sure that the installation will not interfere the function of the airbag.

Radio antennas shall be mounted in a sufficient distance to persons (> 0.5 m).

Cables shall be mounted in the junction box with a pull relief (eg cable ties).

Note:

Do not install the cradle and fixtures in the legroom or directly at the door. It may lead to a strong contamination or direct exposure to moisture (rain, snow, mud or wash water) and consequently to possible failures.

Warning:

Incorrect installation or damages, changes or faulty connections lead to loss of warranty

TISPLUS VEHICLE CRADLE FOR ZEBRA TC56/57/57X

Connection cable

Note:

The TISPLUS Cradle is designed only for use with a 5V USB charging adapter.

USB cable with **vehicle USB charging adapter** for direct connection to the cigarette lighter sock



Mounting the TISPLUS Cradle

SAFETY INSTRUCTIONS

Caution:

Please read the following notes before installation

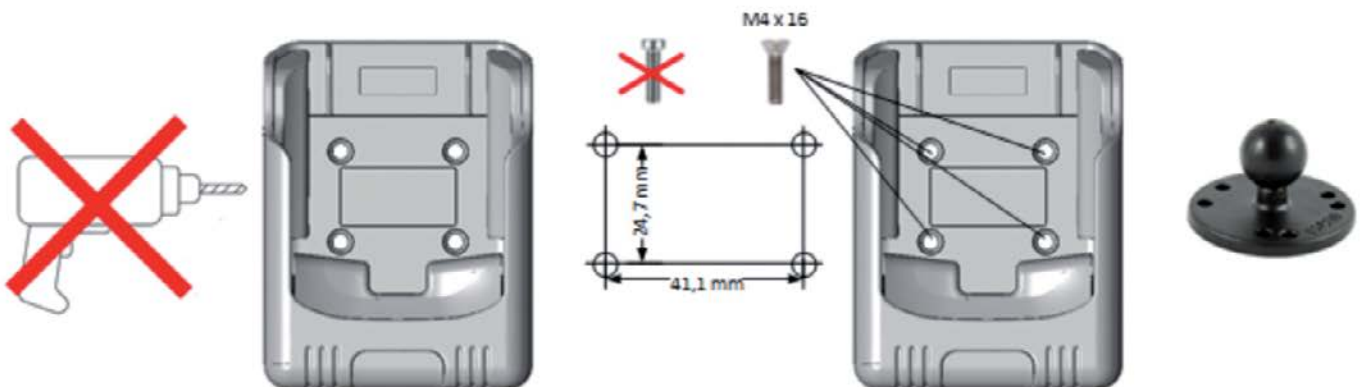
The installation of the cradle must be performed by qualified personnel!
 If installed via cigarette lightning adapter, use the adapter to disconnect the cradle if necessary. Make sure the ignition is turned off and the vehicle battery is disconnected before you begin the installation, and remains disconnected during installation.
 Make sure that no electrical cables, fuel or brake lines and the safety equipment of the vehicle will be damaged during installation.
 Make sure that the function of the airbag is not interfered by the installation.
 Make sure that the installation will not affect the use of the steering and brakes, and any other vehicle operation.
 Make sure that radio antennas will have a sufficient distance (> 0.5 m) to people.

TISPLUS VEHICLE CRADLE FOR ZEBRA TC56/57/57X

The cradle can only operate with a supply voltage of 9-33V with negative ground. Using a different voltage or polarity can damage the electronics.



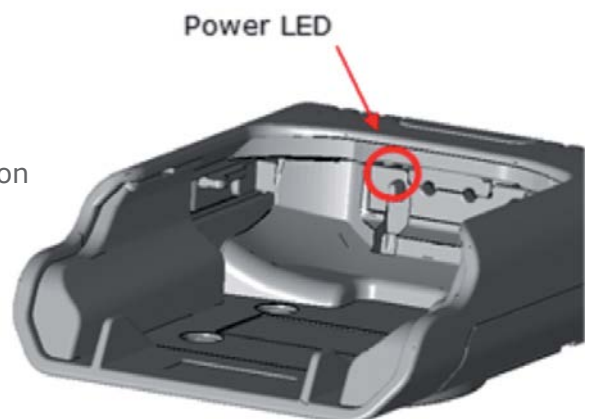
TISPLUS Cradle with R-A-M Mount holder ball (RAM-B-202U)



Mount the cradle only with cheese head screws, countersunk head cause damage to the chassis.
 The mounting holes of the cradle are compatible with the RAM mount system (<http://www.rammount.de>).

Power LED

The TISPLUS Cradle has a power LED, which is visible on the side of the connector when the device is removed



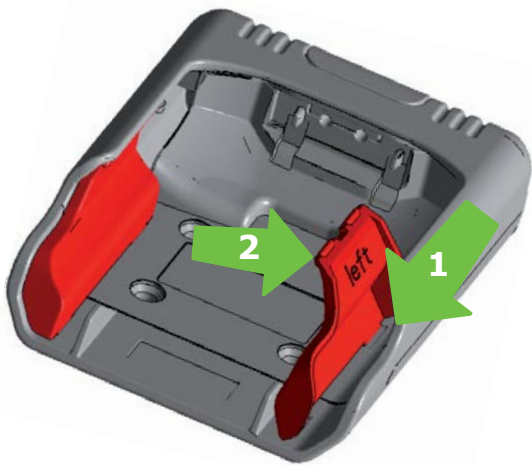
TISPLUS VEHICLE CRADLE FOR ZEBRA TC56/57/57X

Using TC56/57 without Rubber Boot

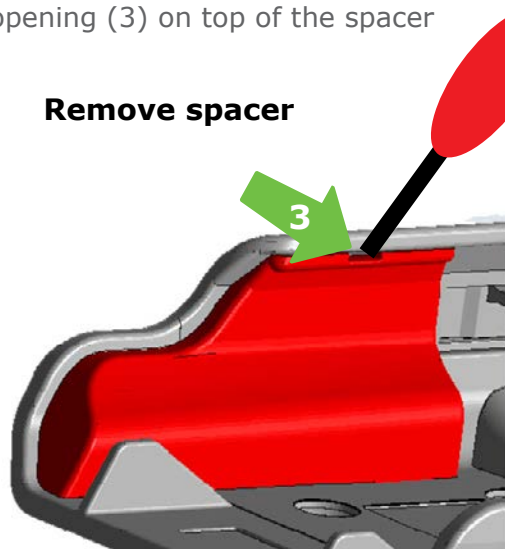
Please insert the spacers according to the inscription "left" and "right" in the upper sides of the cradle. First insert the spacer with the locking lugs on the rear panel (1) and press it against the side panel (2) until it clicks into place.

To remove the spacers, insert a screwdriver into the opening (3) on top of the spacer and pry the spacer out.

Insert spacer

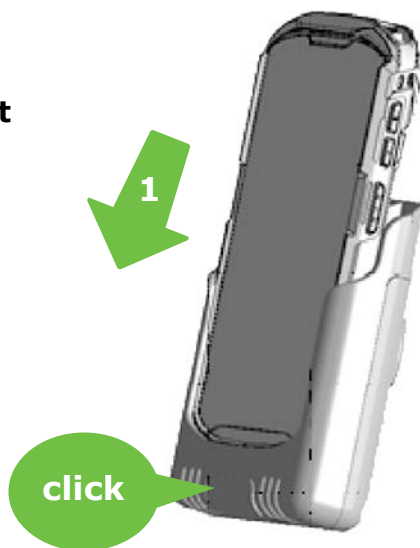


Remove spacer



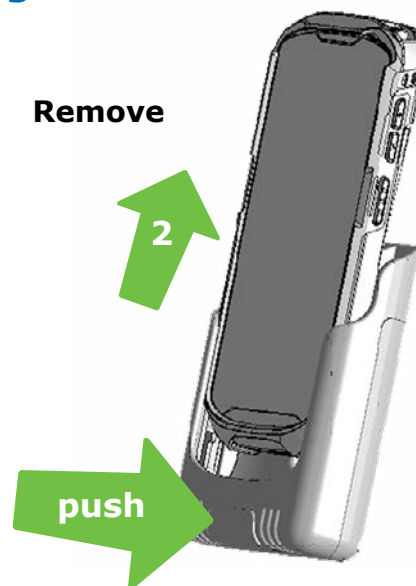
Handling

Insert



Insert the device into the cradle (1) until it snaps into the lock position.

Remove



To remove the device first press the key (1) and then remove it(2)

TISPLUS VEHICLE CRADLE FOR ZEBRA TC56/57/57X

Maintenance/Care

Maintenance

Do not use any oil to grease the mechanism. Oil can damage the plastic parts.

Care

Do not use harsh chemicals, cleaning solvents or strong detergents to clean the MultiCradle. Clean the Trigger-Handle with a damp cloth. If possible, blow out the unit with compressed air occasionally.

Contact with liquid

If acidic or sugary liquids come into the cradle, it is recommended that you replace the cradle. Acid or sugar-containing liquid may lead to damages of the electronics or mechanics.

Technical Data

Input Voltage

5V DC +- 1%

Power Consumption

40mA to ~ 2000mA

Dimension (LxWxH)

appr. 116mm x 89mm x 38mm

Weight

ca. 188g with USB power adapter

Temperature Range

Operating Temperatur: -20°C to +60°C
Storage Temperatur: -40°C to +85°C

Humidity

5 to 80% (no condensation)

Imprint

This specification and all components and programs described here in are copyrighted work of the TIS Technische Informationssysteme GmbH, Germany.

The TIS GmbH does not accept any responsibility for the correctness or completeness of the information contained in this document.

The information in this document is subject to change without notice.

Reproduction in whole or in part, including utilization in machines capable of reproduction or retrieval, without the express written permission of the TIS GmbH is prohibited.

Reverse engineering is also prohibited.

All product names mentioned in this document are the trademarks of their respective owners.

Copyright ©2018

TIS Technische Informationssysteme GmbH, Bocholt